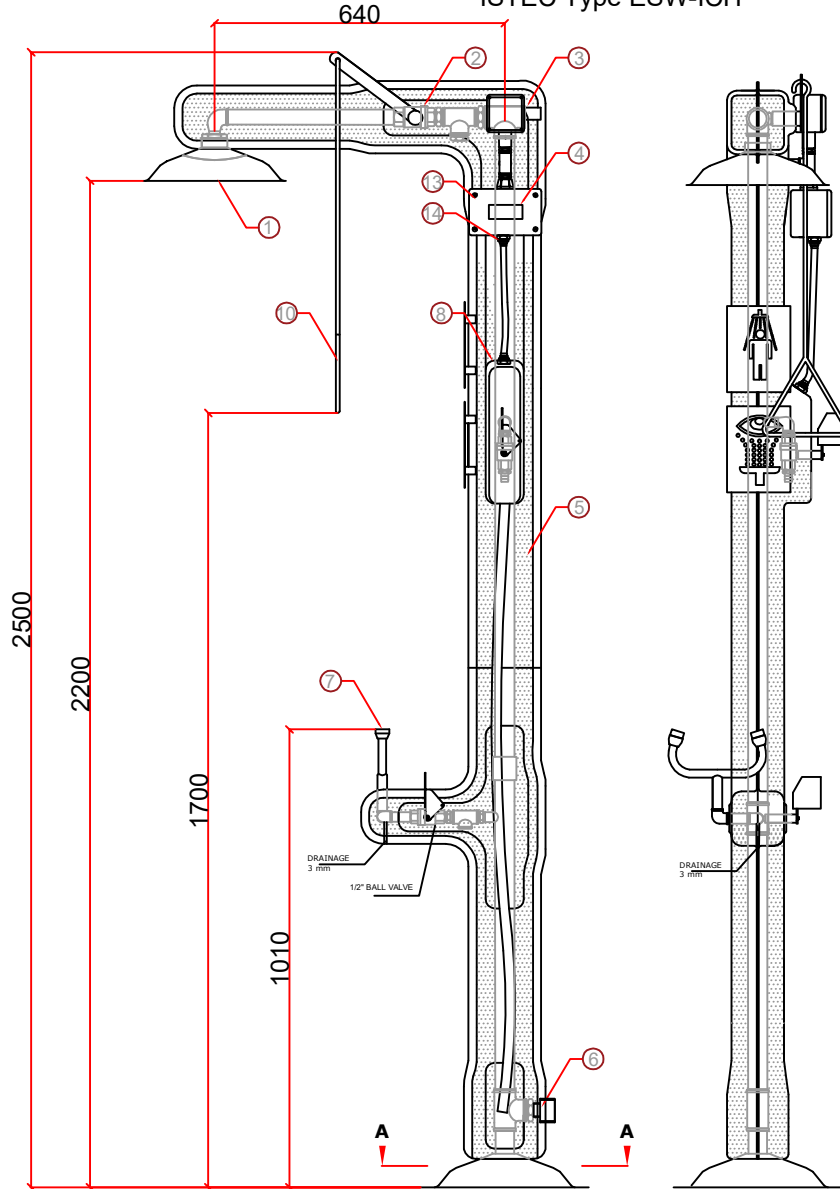


FREEZE PROOF CABLE HEATED AND INSULATED

EMERGENCY SHOWER AND EYEWASH

ISTEC Type ESW-ICH

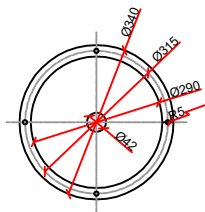


-side view-

-front view-

Standards: EN 15154-1, EN 15154-2
 Water Flow: 11,5 lt/ min for Eyewash
 75 lt/ min for Shower
 Total Weight:
 Packed Dimensions:

Static test pressure : 7 bar
 Min using pressure : 1,4 bar
 Max using pressure : 2,8 bar
 Total Power:105W



section A-A

NO.	DESCRIPTION	MATERIAL
14	Rakor(IP67)	Brass
13	Thermostat Box(IP66)	Non-exproof
12	Push Handle Control for Eyewash	Stainless Steel
11	1 1/4" Pipe	Galvanized
10	Pull Rod Control for Shower	Stainless Steel
9	Emergency Sign	PVC (Luminous)
8	Electrical Heating Tape	Ex-proof (Zone I)15 W / m
7	Spray Nozzles	Brass
6	1" Water Inlet (FNPT)	Galvanized
5	Insulation	Polietilen
4	Digital Thermostat(IP65-IP20)	Non-exproof
3	Junction Box(IP67)	Non-exproof
2	1" Ball Valve	Stainless Steel
1	Shower head Bowl (Ø300mm)	Stainless Steel

	REV.	DATE	DESCRIPTION	DESIGNED	CHECKED	APPROVED	CUSTOMER PRODUCT 15036150	
	A		FIRST ISSUE	SS	FA	ST		
STATUS FOR INFORMATION <input type="checkbox"/> FOR REVIEW <input type="checkbox"/> FOR APPROVAL <input type="checkbox"/>	FOR INFO/DESIGN <input checked="" type="checkbox"/>			ORIGINAL EDITION DESIGNED <input checked="" type="checkbox"/> CHECKED <input checked="" type="checkbox"/> APPROVED <input checked="" type="checkbox"/>	SS FA ST	SIZE A4	SCALE 1/100	
DRAWING NUMBER/DATE: 44/16-1							SHEET: 1 OF: 1	DRAWING NAME: ISTEC Type ESW-ICH